



ELECTRONIC

EC-DC Centrifugal Fan

Backward Curved $\varnothing 190\text{mm}$

DC后向离心风机



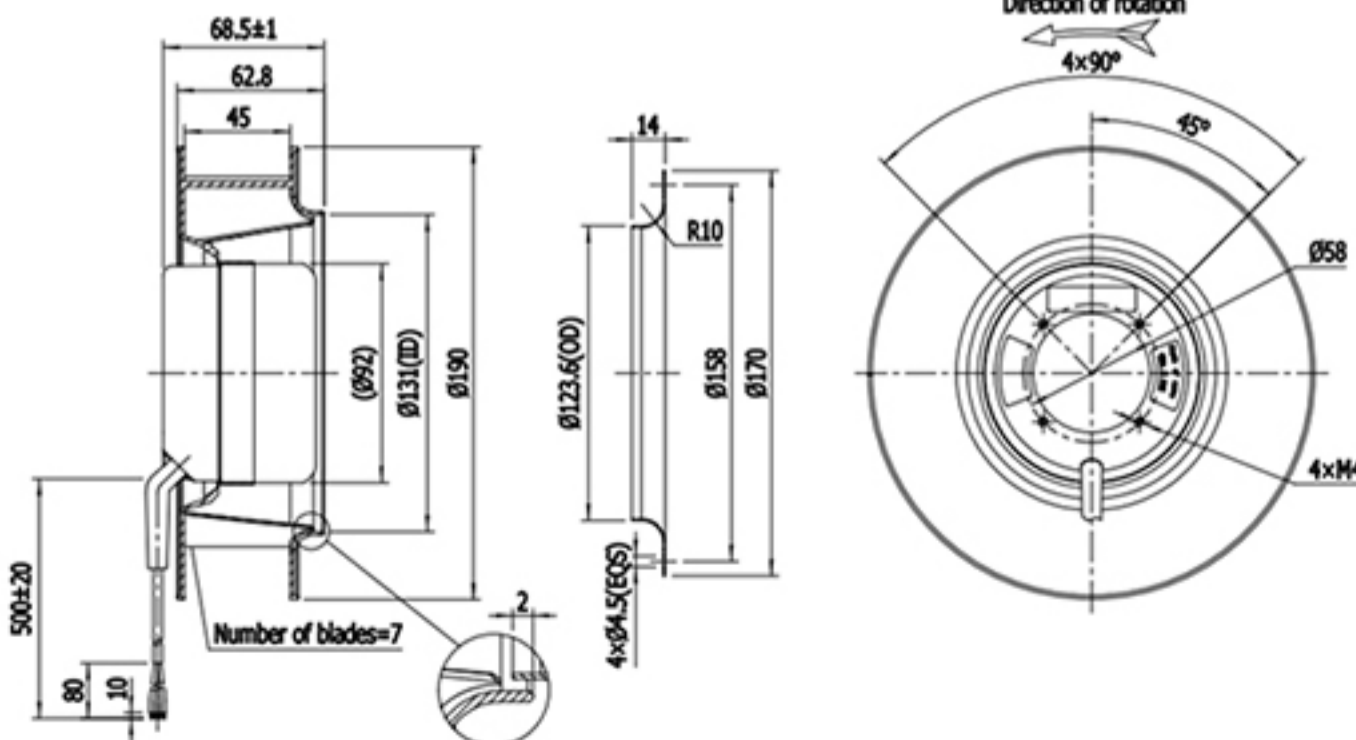
- ◇ Impeller Material: PP
- ◇ Motor Type: Brushless DC (BLDC) external rotor motor
- ◇ Type of Protection: P44
- ◇ Insulation Class: B
- ◇ Speed Control: 0-10VDC/PWM
- ◇ Bearing: Ball Bearing

- ◇ 叶轮材质: PP
- ◇ 电机: 外转子直流无刷电机
- ◇ 防护等级: IP44
- ◇ 绝缘等级: B
- ◇ 调速: 0-10VDC/PWM
- ◇ 轴承: 滚珠轴承



Model 型号	Rated Voltage 电压	Operating Voltage 工作电压	Rated Current 电流	Rated Power 功率	Rated Speed 转速	Air Flow 风量	Air pressure 风压	Noise Level 噪音	Perm.Amb. Temp. 工作环境温度	Weight 重量
Part NO.	VDC	VDC	A	W	RPM	M3/H	Pa	dBA	°C	Kg
HB190-092D024H	24	16~28	3.6	86	3200	545	627	68	-25~+60	1.37
HB190-092D048H	48	36~57	1.8	86	3200	545	627	68	-25~+60	1.37

Outline Drawing



Performance Curve

